

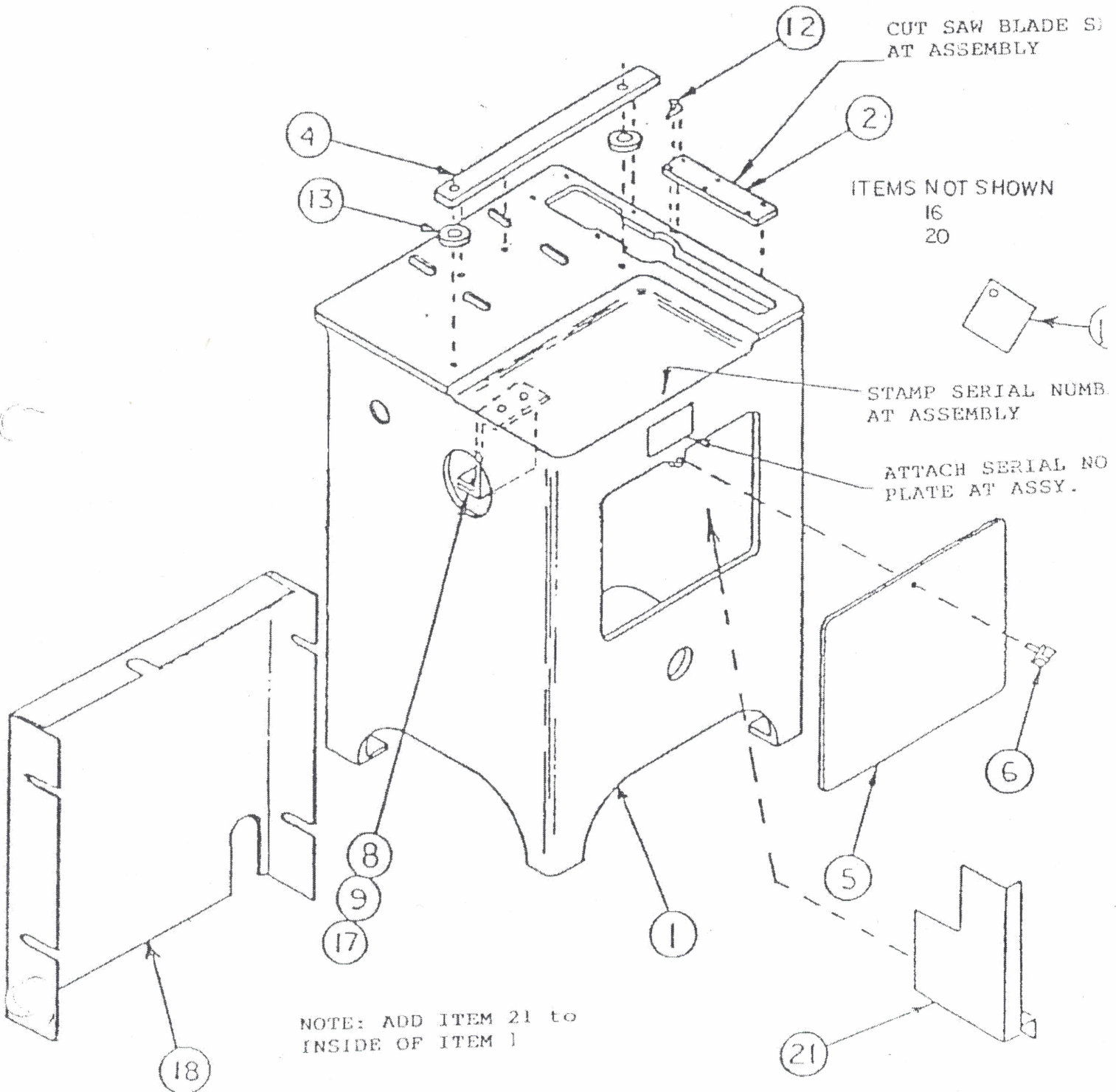
MODEL NO.

C 500R

ASSY NO. 100AT

DWG NO. \_\_\_\_\_

FRAME, BASE, ASSY  
RT. HAND



REQ NO.--100AT

ASSEMBLY DESCRIPTION

MACHINE MODEL NO.

BASE FRAME, RH.

C500R

ISSUE DATE

1/27/94

REF DWG NO.

LINE	PART-NO	QTY	DESCRIPTION
1	3589A25	1	FRAME BASE, RH
2	3589A32	1	PLATE, BLADE, INSERT SAW
3			
4	3644A10	1	FENCE, REAR
5	35890055	1	DOOR, ACCESS
6	19057A	1	KNOB, HAND, BLK, W/STUD
7			
8	18751	1	BUMPER, RUBBER, 2 X 4, 3/4
9	23627	1	BRACKET, FORMED, HRS, BUMPER STOP
10			
11			
12	19578	1	GUIDE, CAST, STL, CHIP
13	21610	4	WASHER, FLAT, 5/8, 1-3/8, 1/8, STL, HARD
14			
15			
16	36440041	1	HARDWARE, SAW
17	23759	1	BUMPER, RUBBER, 2 X 3, 1
18	20950	1	COVER, FORMED, STL, REAR, R.H.
19	21628	1	COVER, FORMED, STL, 18 GA X 6 X 6, ARBOR
20	35890334	1	C500 RIGHT HAND MANUAL
21	24851	1	GUARD, SAW, BLADE, C500R

MODEL NO.

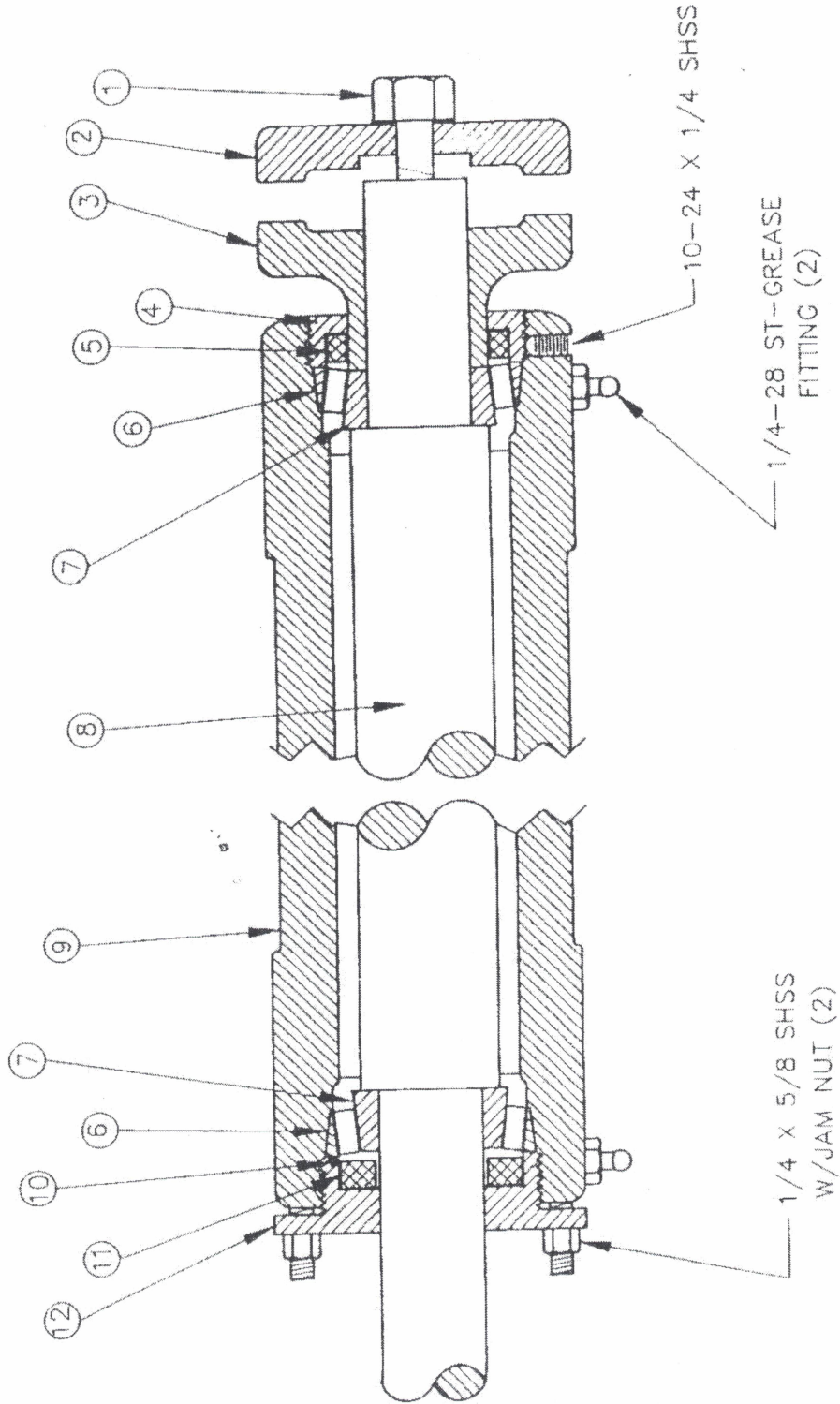
C500R

N510R

ASSY NO 101J

DWG NO \_\_\_\_\_

SAW ARBOR  
RIGHT HAND



REQ NO.-101J

ASSEMBLY DESCRIPTION

MACHINE MODEL NO.

ISSUE DATE  
1/28/80

SAW ARBOR  
RIGHT HAND

C500R  
N510R

REF DWG NO.

LINE	PART-NO	QTY	DESCRIPTION
1	17422	1	SCREW, 1/2-13, 1-1/4, CAP, GRADE 5, LH
2	DS40S6	1	COLLAR, FLANGED, OUTSIDE
3	DS40S5	1	COLLAR, FLANGED, INSIDE
4	35890225	1	NUT, RETAINER
5	11284	1	SEAL, GREASE, 1.500, 1.690
6	10530	2	BEARING, TPR-ROLLER, /, CONE, .591 W
7	10533	2	BEARING, TPR-ROLLER, 1, CUP, 2-3/64 OD
8	356302	1	SHAFT, SAW ARBOR
9	3589B1	1	HOUSING, SAW ARBOR
10	11225	1	O-RING, 1/8, 1-5/8, 1-7/8, 70 DUROMETER
11	11282	1	SEAL, GREASE, 1.000, 1.500
12	DS40S4-3	1	NUT, RETAINER, FLANGED
13			

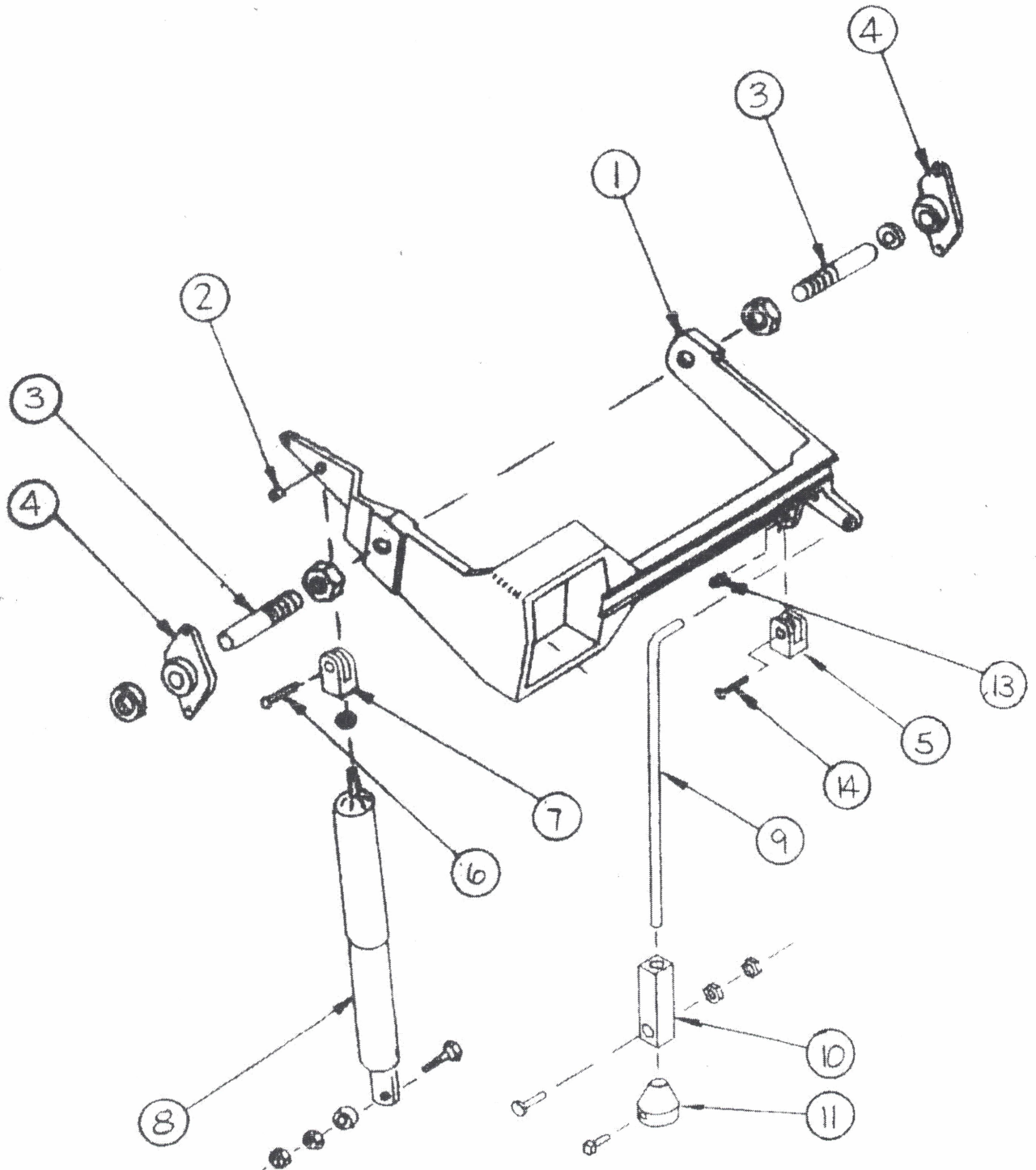
MODEL NO.

C500R

SAW ARBOR MOUNT

RIGHT HAND

ASSY. NO. 102T  
DWG. NO. \_\_\_\_\_



REQ NO.-102T

ASSEMBLY DESCRIPTION

MACHINE MODEL NO.

ISSUE DATE  
4/23/90

SAW ARBOR MOUNT, RIGHT HAND

C500R

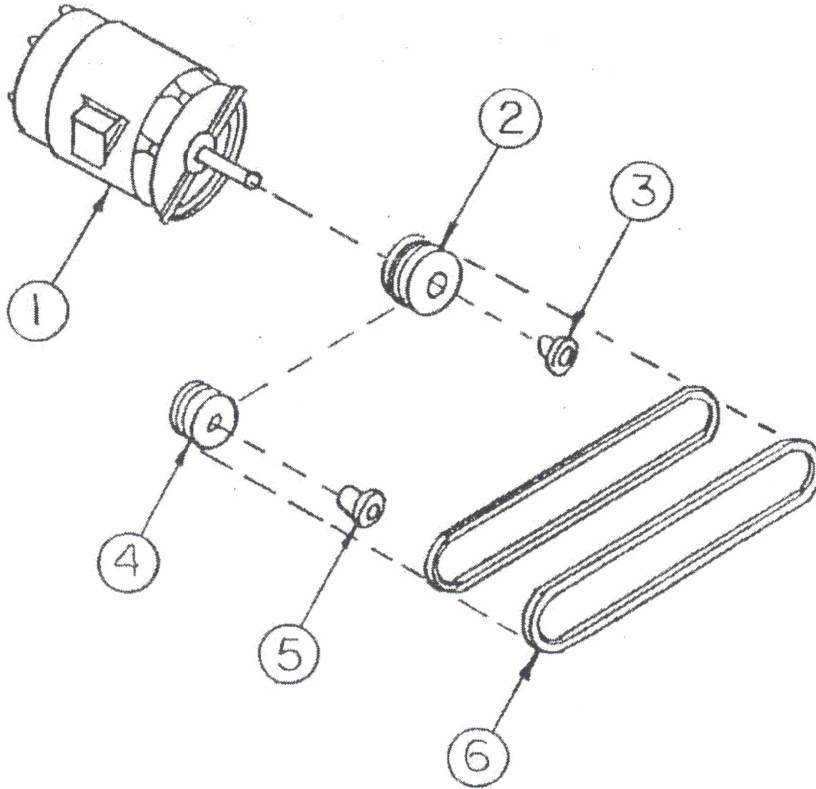
REF DWG NO.

LINE	PART-NO	QTY	DESCRIPTION
1	3589C4	1	BASE, SWING, RH
2	18306	1	BUSHING, NYL, .37 X .50, 3/8
3	3589C3	2	SHAFT, SWING BASE
4	18520	2	BEARING, FLANGE, 1, 2 HOLE
5	15053F	1	CLEVIS, 5/8-11 TAP, 5/8 SLOT, 3/8 HOLE
6	DS35	1	PIN, CLEVIS, 3/8 X 1 1/2
7	15051D	1	CLEVIS, 3/8-24 TAP, 7/16 SLOT, 3/8 HOLE
8	26334	1	SHOCK-ABSR, SS, CP3, END STYLES,
9	3644C2	1	ROD, ACTUATOR
10	3589C7	1	SLEEVE, ACTUATOR ROD
11	3589C8	1	CAM, ACTUATOR, ROD
12	14306	1	COLLAR, SET, 5/8, 1-1/8, 1/2
13	18337	1	BUSHING, NYL, .37 X .50, 1/2
14	3589C17	1	PIN, CLEVIS, 3/8 X 2 IN.

MACH. MODEL NO.  
C500L/R  
C500LHJ/RHJ

ASSY. NO. 104Y  
DWG. NO. \_\_\_\_\_

DRIVE AND MOTOR  
7-1/2 HP, 230/460/60/3, TEFC



PER NO.-104Y

ASSEMBLY DESCRIPTION

MACHINE MODEL NO.

ISSUE DATE  
11/23/70

DRIVE AND MOTOR  
7-1/2 HP. 230/460/60/3, TEFC

C500L/R  
C500LHJ/RHJ

REF DWG NO.

LINE	PART-NO	QTY	DESCRIPTION
1	20057A	1	MTR-ELEC, 7.5, 1800,
2	18767	1	SHEAVE, V-2 X 3V, 6.50, SDS BUSHING
3	18631	1	BUSHING, TAPER, 1-3/8, QD-SDS
4	18774	1	SHEAVE, V-2 X 3V, 3.35, SH BUSHING
5	18282	1	BUSHING, TAPER, 1, QD-SH
6	17559	2	BELT, V-3V, 35-1/2 IN, MATCHED PAIRS





REQ NO.-104AM

ASSEMBLY DESCRIPTION

MACHINE MODEL NO.

ISSUE DATE  
4/05/90

DRIVE AND MOTOR  
5 HP, 230/460/60/3, TEFC

C500L/R  
C500LHJ/RHJ

REF DWG NO.

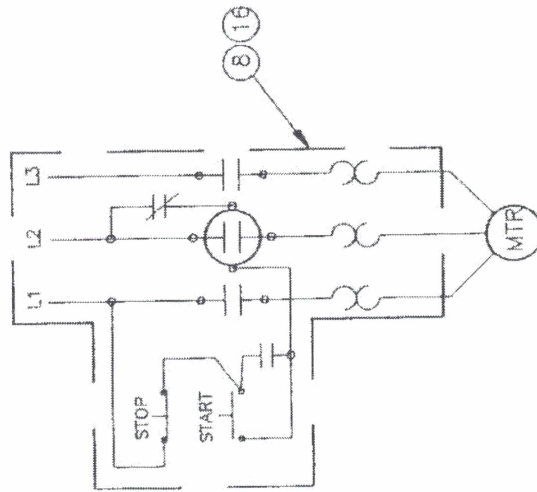
LINE	PART-NO	QTY	DESCRIPTION
1	20586	1	MTR-ELED, 5.0 1800, 184T, 230/460/60/3,
2	18767	1	SHEAVE, V-2 X 3V, 6.50
3	19013	1	BUSHING, TAPER, 1-1/8, QD-SDS
4	18774	1	SHEAVE, V-2 X 3V, 3.35, SH BUSHING
5	18282	1	BUSHING, TAPER, 1, QD-SH
6	17559	2	BELT, V-3V, 35-1/2 IN, MATCHED PAIRS
7	35890213	4	SPACER, MOTOR

C500L/R  
N510L/R

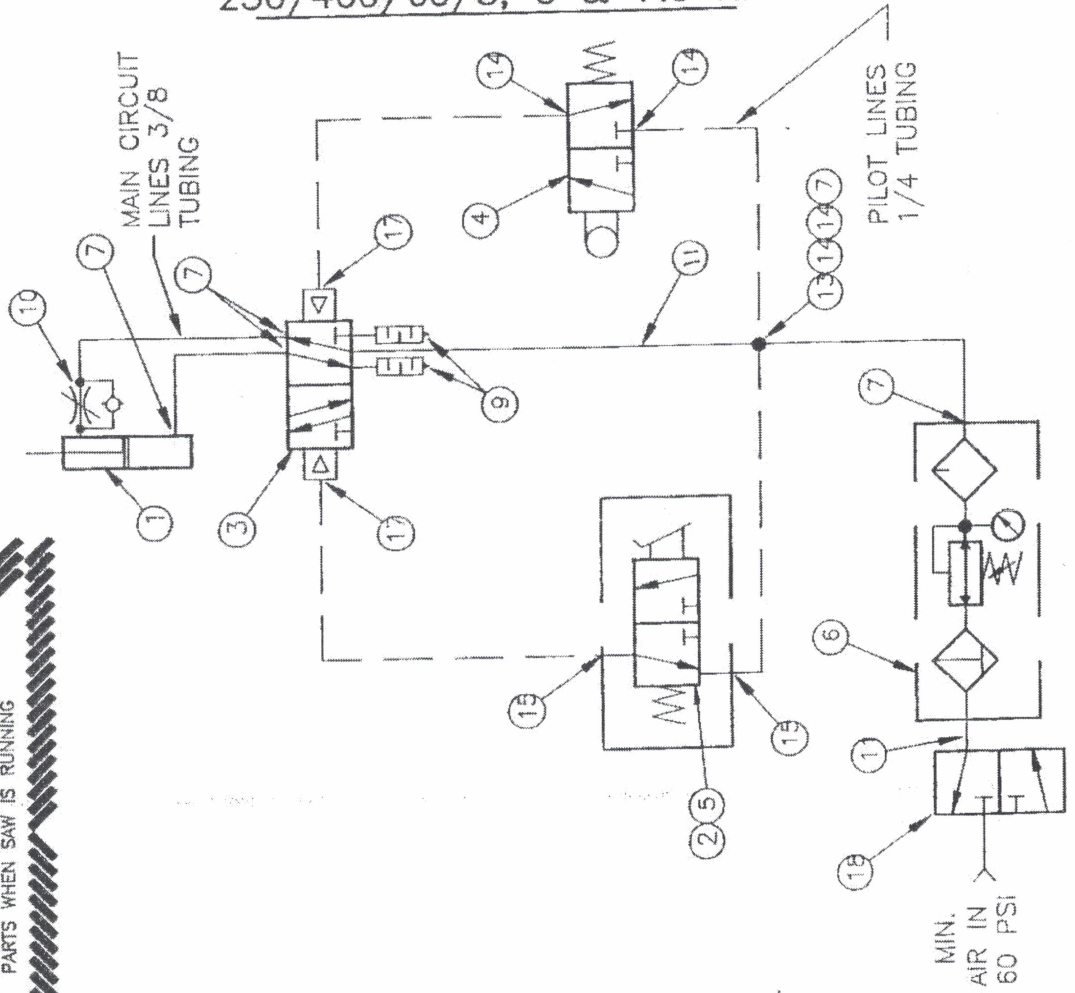
105HI

ELEC/PLUMBING COMPONENTS  
230/460/60/3, 5 & 7.5 HP

**⚠ DANGER ⚠**  
NEVER ATTEMPT TO ACCESS INTERNAL SAW  
PARTS WHEN SAW IS RUNNING



ELEC. DIAGRAM



PLUMBING DIAGRAM

REQ NO.-105HE

ASSEMBLY DESCRIPTION

MACHINE MODEL NF -

ISSUE DATE  
3/12/91

ELEC / PLUMB, 5-7-1/2, 230/460

C500  
N510

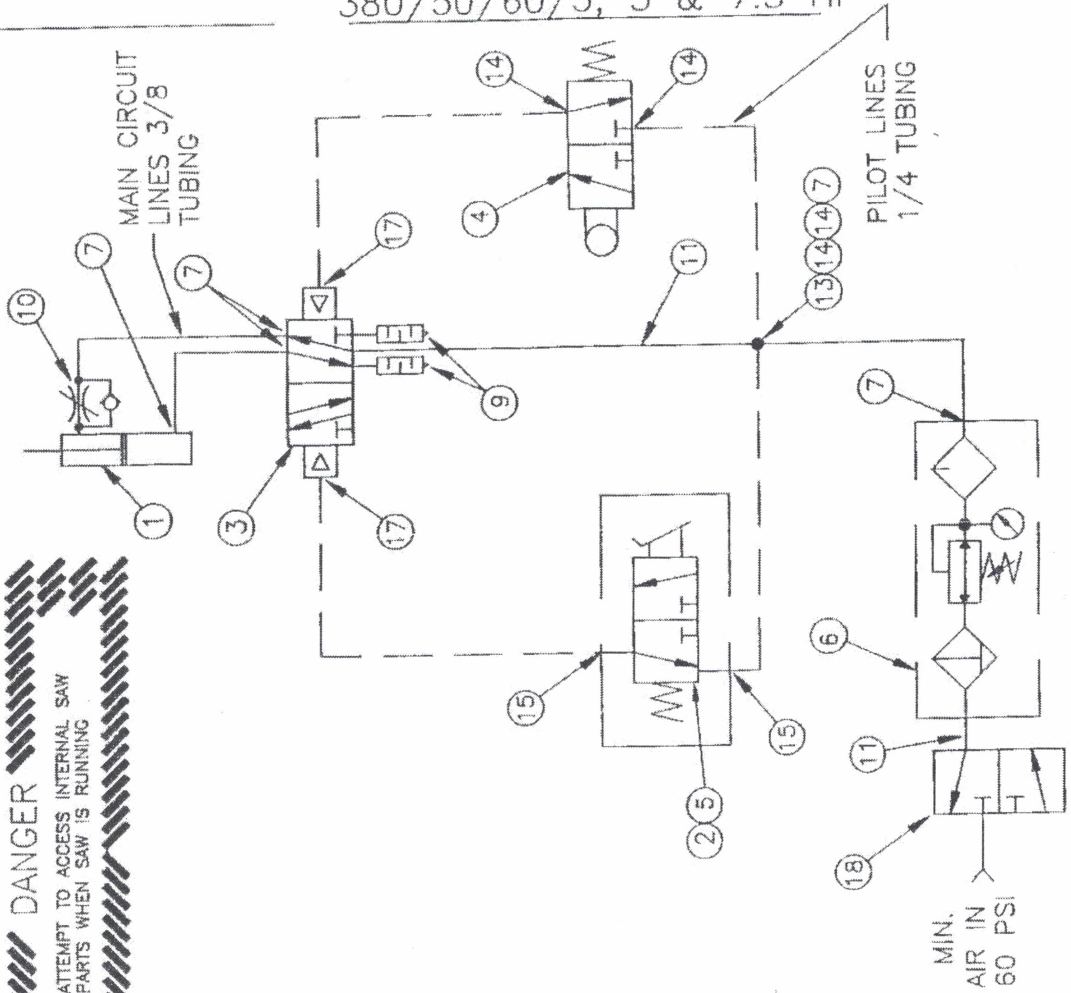
REF DWG NO.

LINE	PART-NO	QTY	DESCRIPTION
1	CYL7B28A	1	CYL, AIR, 1.75 BORE, 7.00 STK
2	20543	1	GUARD, FOOTSWITCH
3	21695	1	VLV-4 WAY, 1/4, PTL/PIL, AIR1
4	17285	1	VLV-3 WAY, 1/4, CAM/SPG, ROLLER LEVER, NC
5	17334A	1	VLV-3 WAY, 1/8, FOOT/MAH, NO GUARD
6	27385	1	FTLTER/REGULATOR/LUBRICATOR, 1/4, W/
7	27127	6	ELBOW, TUBE, MALE, 3/8 TUBE X 1/4 NPT
9	35890304	1	BRACKET, STARTER AND AIR SUPPLY
9	27384	2	MUFFLER, 1/4 NPT, ALUM W/ BRASS SCREEN
10	27270	1	VLV-FLOW, 1/4 NPT, 3/8 FLLT, 150 PSI
11	22720	1	NIPPLE, 1/4 NPT, 1/4 NPT, C LG, BI-40
13	22678	1	CROSS, 1/4 NPT, 1/4 NPT, BI-40
14	27137	4	CONNECTOR, TUBE, MALE,
15	27134	3	CONNECTOR, TUBE, MALE,
16	26489	1	STARTR-MTR, SIZE 1-SPH, MAG-NREV, NEMA 1
17	27133	1	ELBOW, TUBE, MALE, 1/8 NPT X 1/4 TUBE
18	27504	1	VLV-BALL, 1/4, 3 WAY

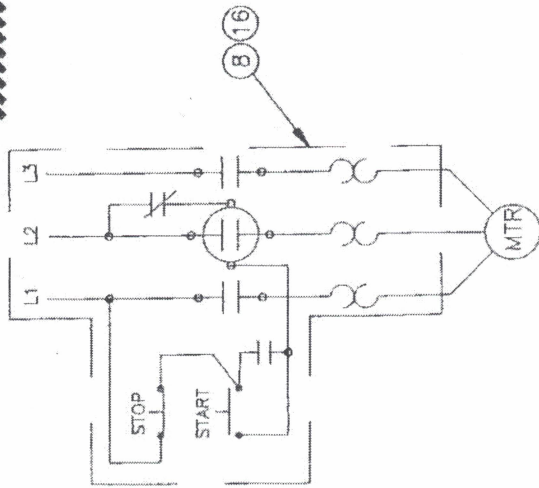
MODEL NO.  
C500L/R  
N510L/R

ASSY NO 105HF  
 DWG NO \_\_\_\_\_

ELEC/PLUMBING COMPONENTS  
380/50/60/3, 5 & 7.5 HP



**DANGER**  
 NEVER ATTEMPT TO ACCESS INTERNAL SAW PARTS WHEN SAW IS RUNNING



PLUMBING DIAGRAM

ELEC. DIAGRAM

REQ NO.-105HF

ASSEMBLY DESCRIPTION

MACHINE MODEL NO.

ISSUE DATE  
2/17/94

ELEC / PLUMBING COMPONENTS  
380/50/60/3, 5 & 7-1/2 HP

C500  
N510

REF DWG NO.

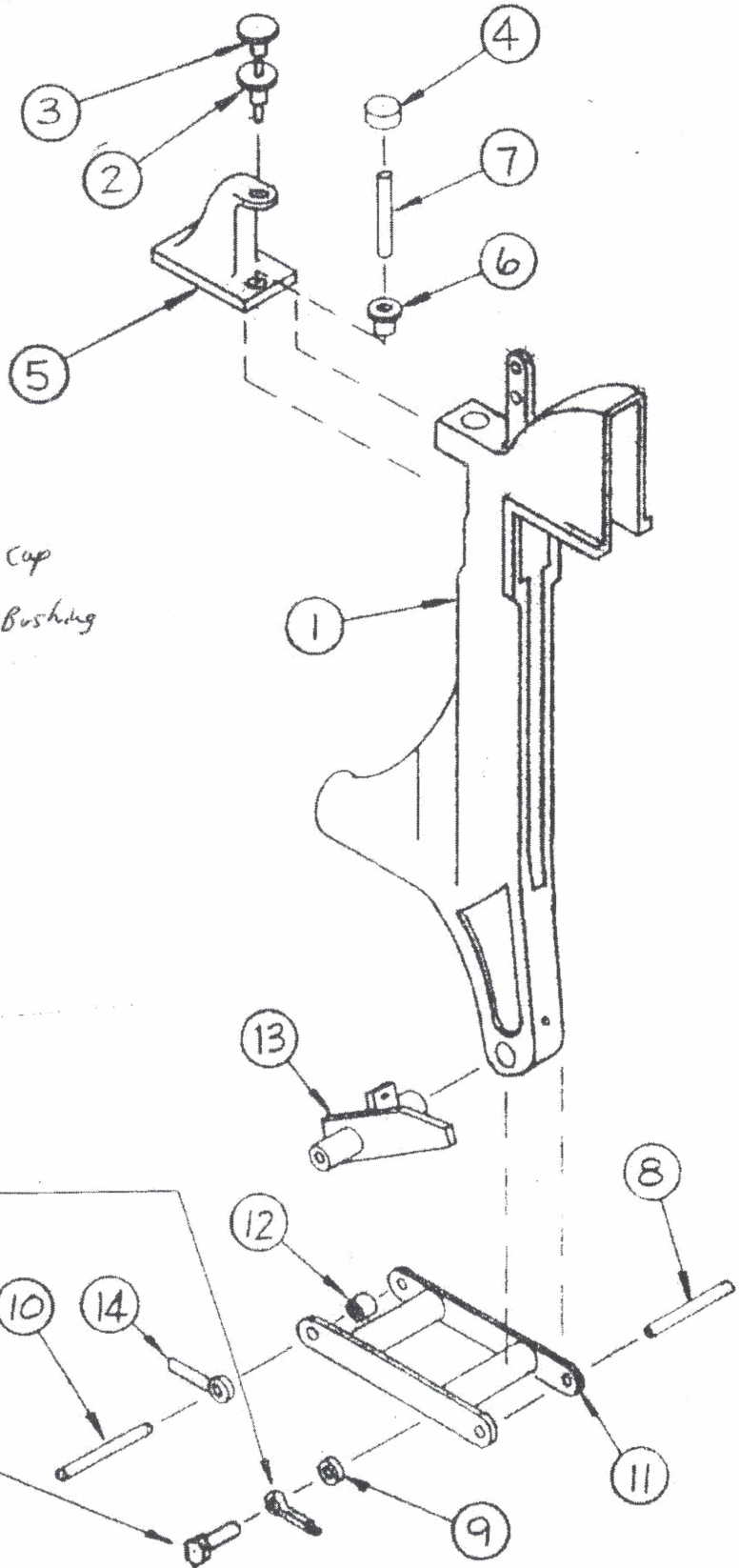
LINE	PART-NO	QTY	DESCRIPTION
1	CYL7B28A	1	CYL, AIR, 1.75 BORE, 7.00 STK
2	20543	1	GUARD, FOOTSWITCH
3	21695	1	VLV-4 WAY, 1/4, FIL/PIL, AIR1
4	17285	1	VLV-3 WAY, 1/4, CAM/SPG, ROLLER LEVER, NC
5	17334A	1	VLV-3 WAY, 1/8, FOOT/MAN, NO GUARD
6	27385	1	FILTER/REGULATOR/LUBRICATOR, 1/4, W/
7	27127	6	ELBOW, TUBE, MALE, 3/8 TUBE X 1/4 NPT
8	35890304	1	BRACKET, STARTER AND AIR SUPPLY
9	27384	2	MUFFLER, 1/4 NPT, ALUM W/ BRASS SCREEN
10	27270	1	VLV-FLOW, 1/4 NPT, 3/8 FLLT, 150 PSI
11	22720	1	NIPPLE, 1/4 NPT, 1/4 NPT, C LG, BI-40
12			
13	22678	1	CROSS, 1/4 NPT, 1/4 NPT, BI-40
14	27137	4	CONNECTOR, TUBE, MALE,
15	27134	3	CONNECTOR, TUBE, MALE,
16	26569	1	STARTER-MTR, SIZE 1, 3PH, MAG, NREV,
17	27133	1	ELBOW, TUBE, MALE, 1/8 NPT X 1/4 TUBE
18	27504	1	VLV-BALL, 1/4, 3 WAY

MODEL NO.

C500R

ASSY NO 255J  
DWG NO \_\_\_\_\_

DUST CHUTE, RIGHT HAND



3589 A 7 Nylon Cup  
3589 A 8 Bronze Bushing  
1.25" / 1.5"

1/4 x 1/4 COTTER PIN

1/4 x 1 HEX HD.

REQ NO.-255J

ASSEMBLY DESCRIPTION

MACHINE MODEL NO.

ISSUE DATE

DUST CHUTE, RIGHT HAND

C500R

4/19/90

REF DWG NO.

LINE	PART-NO	QTY	DESCRIPTION
1	35890335	1	CHUTE, DUST
2	13623F	1	KNOB, HAND, 3, 3/4-10 TAP, 3/16 PIN HOLE
3	35890035	1	SCREW, ADJ HANDKNOB, 3/4-10 X 5-1/2
4	3589A7	1	CAP, GUIDE PIN
5	DSB4	1	BRACKET, GUARD
6	3589A8	1	BUSHING, GUIDE STOP
7	DS24-4	1	PIN, GUIDE CLAMP GUARD
8	DS16-2	1	PIN, ARM, FORWARD SWING
9	3589C20	1	PINLOCK, ARM SPACER
10	3589C11	1	PIN, SWING ARM REAR
11	3589C5	1	ARM, SWING, CAST. 17515
12	14304	1	COLLAR, SET, 1/2,
13	3589C10	1	BRACKET, SWITCH, DEFECT SAW, RH
14	3589C16	1	STUD, MOUNT, REAR PIN